

安装工具 Installation tools



Glass sucker



Hex socket,
size 8mm



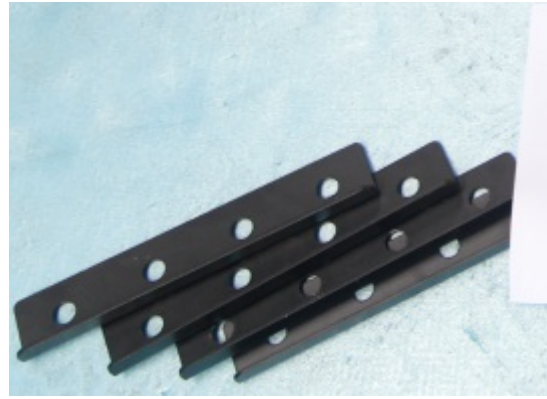
External hex
socket, size 19mm



External hex
socket, size 17mm



Spanner



Fitting corner code



Safety glove



Allen Key



Spirit level



Laser level



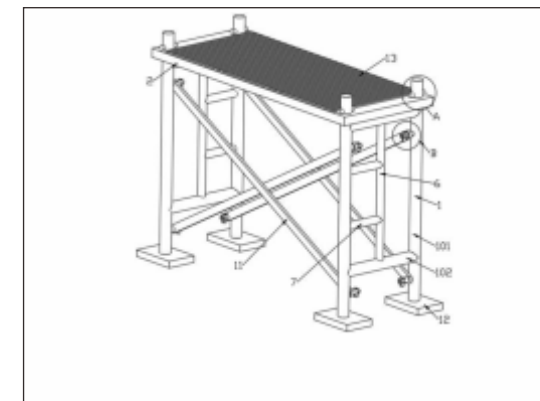
Safety Helmet



Safety belt



Electric Impact wrenches

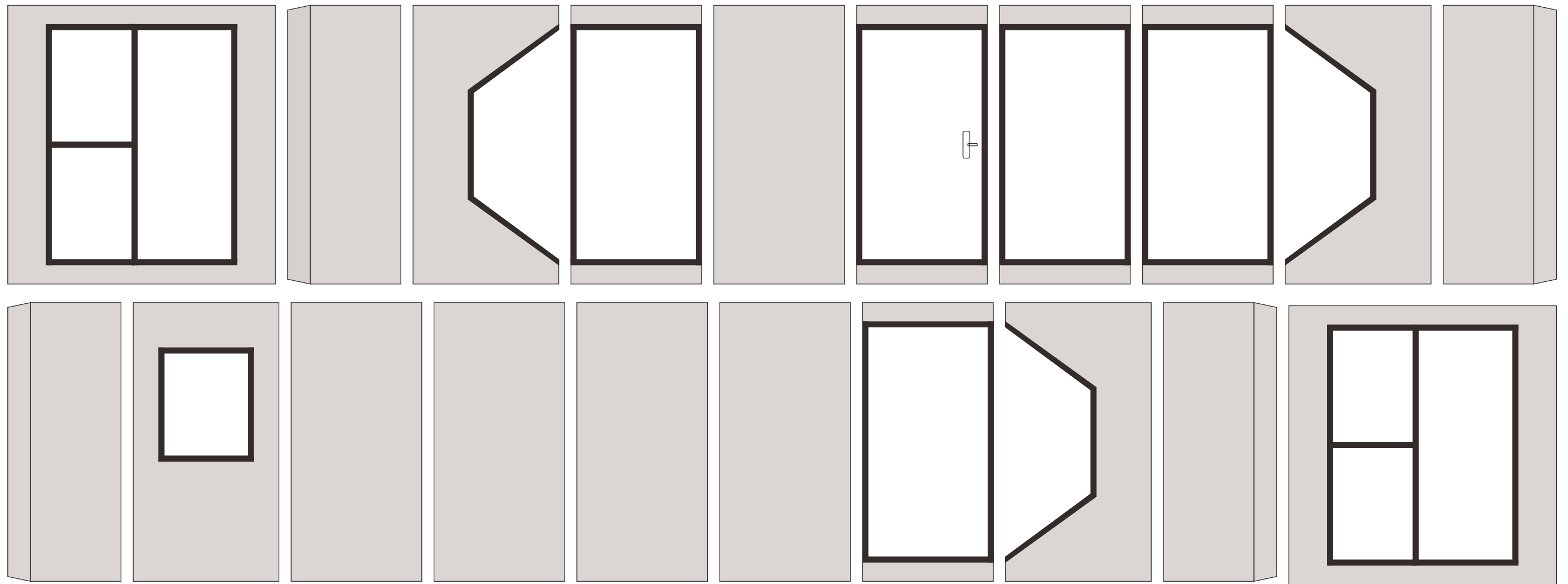


Scaffold



Bolt

安装材料展示 Installation module display



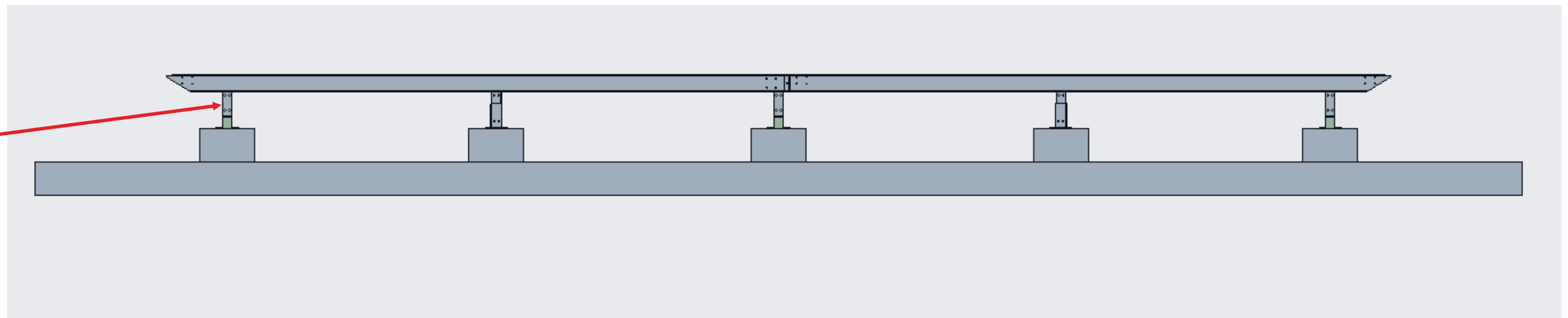
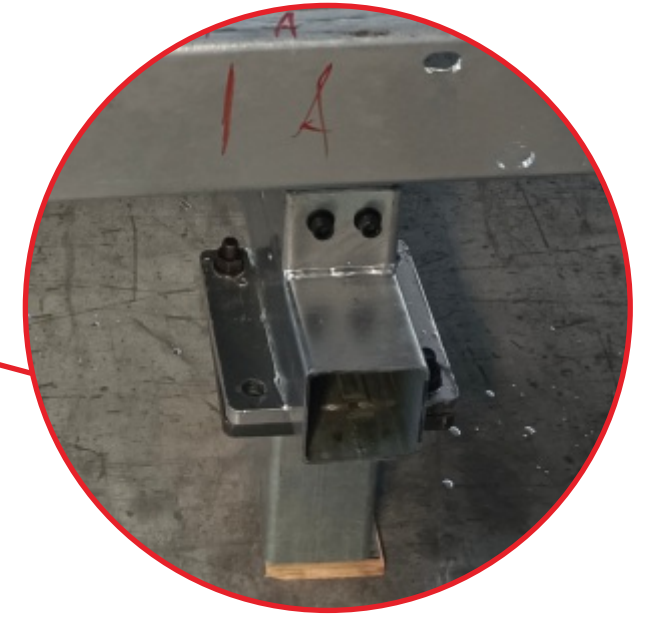
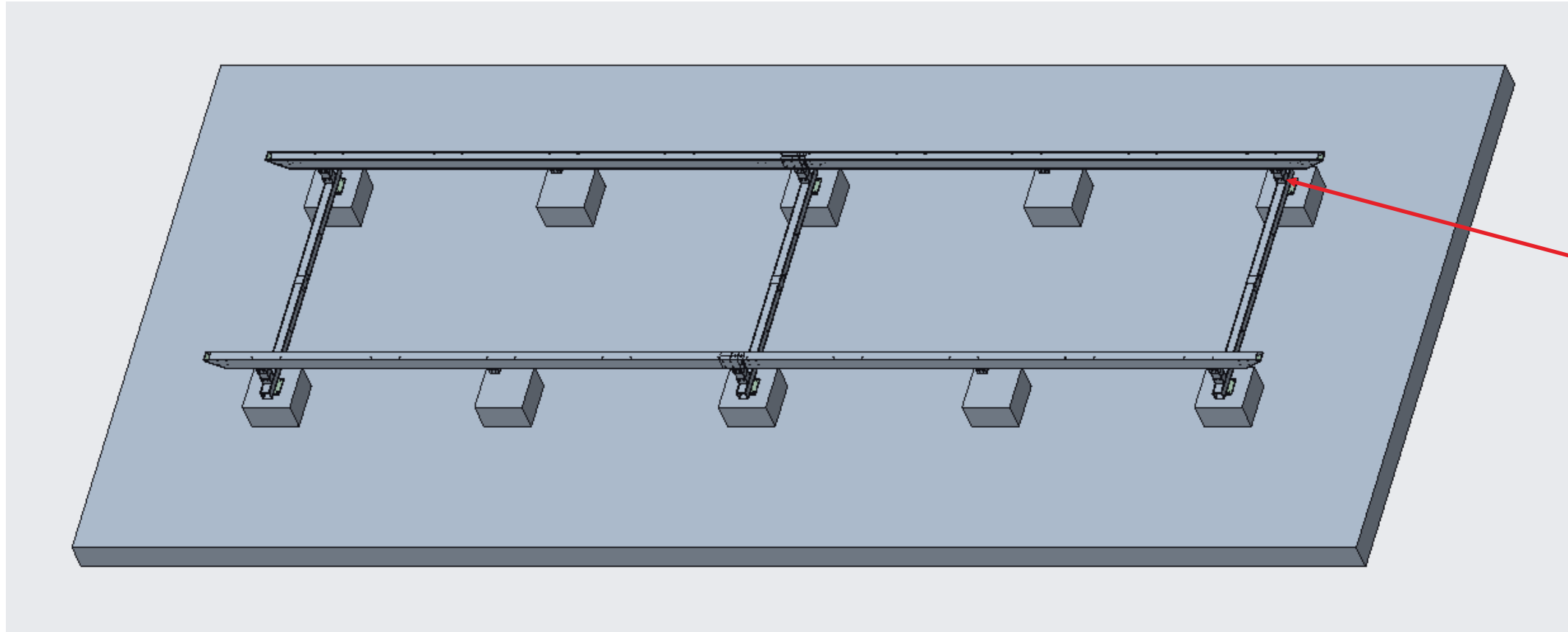
1、确保有一个水平的地基。

1. Make sure you have a level foundation or footings.



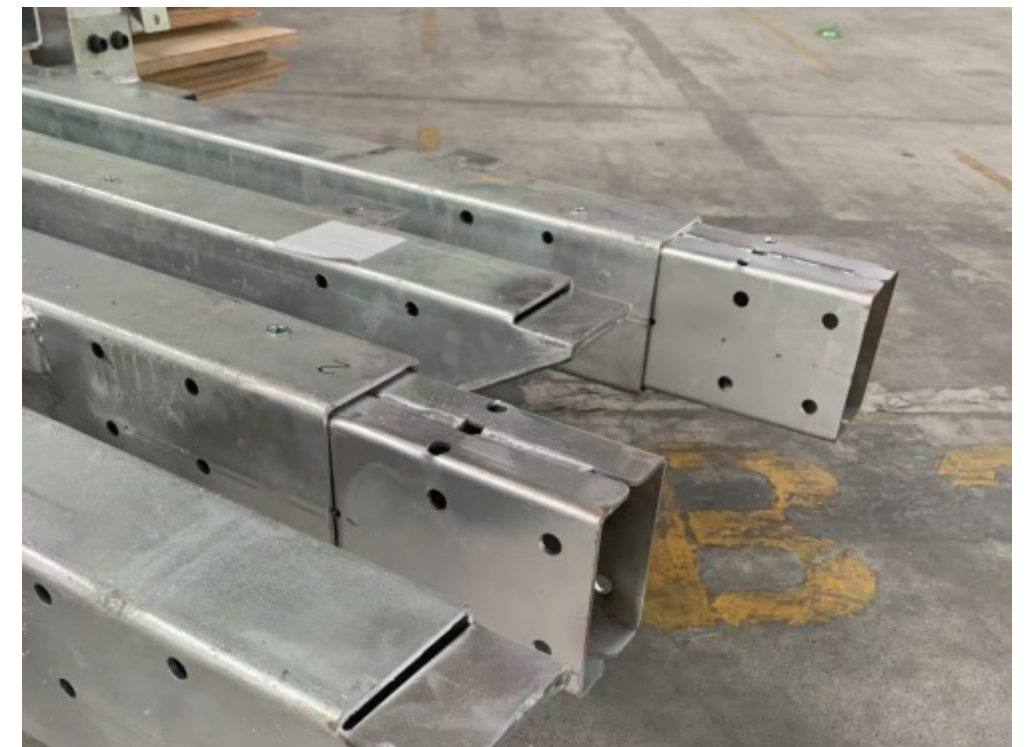
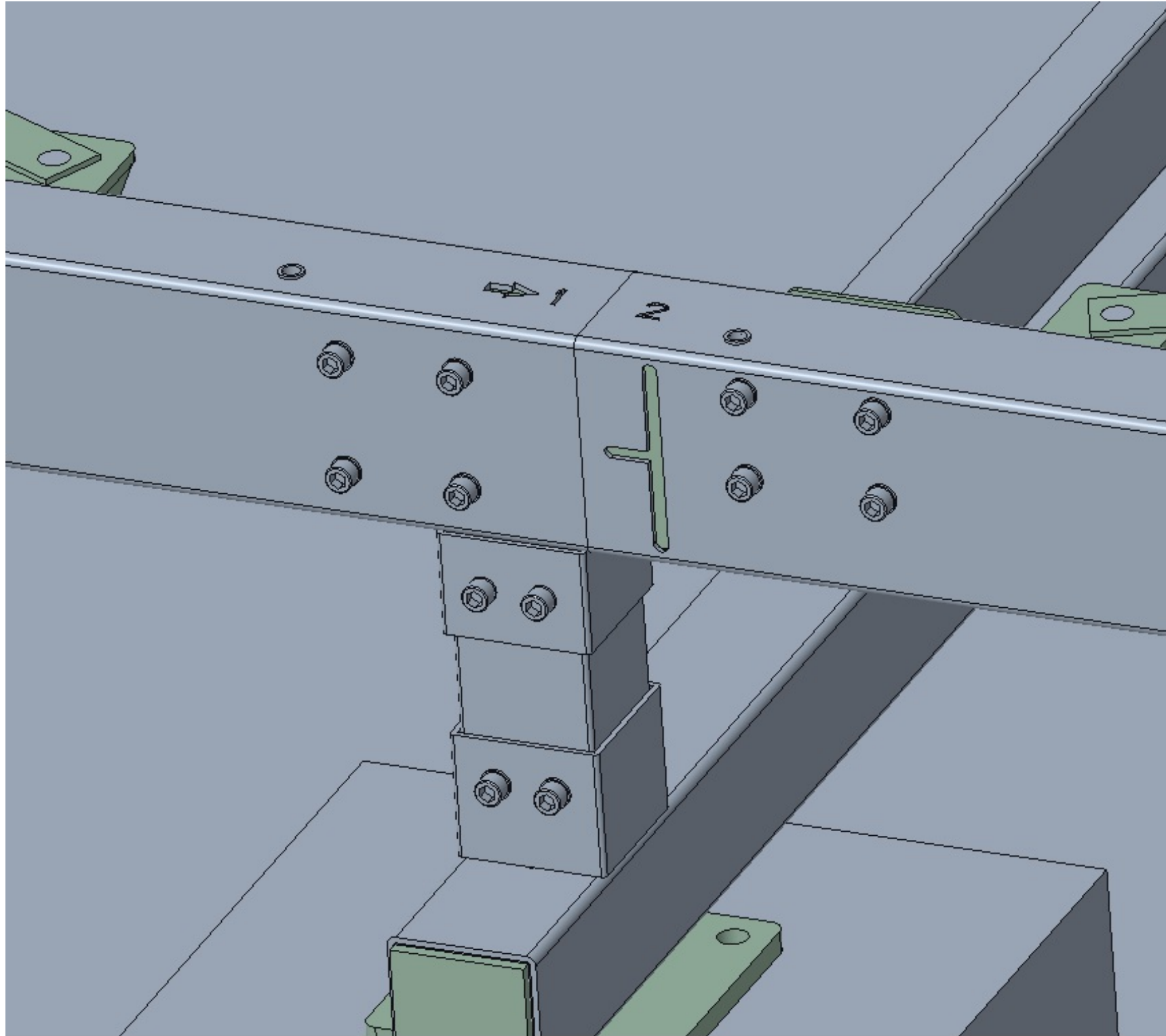
2、将所有的支撑脚用螺栓固定在主梁钢架上。

2.All the supporting legs are bolted to the support beams.



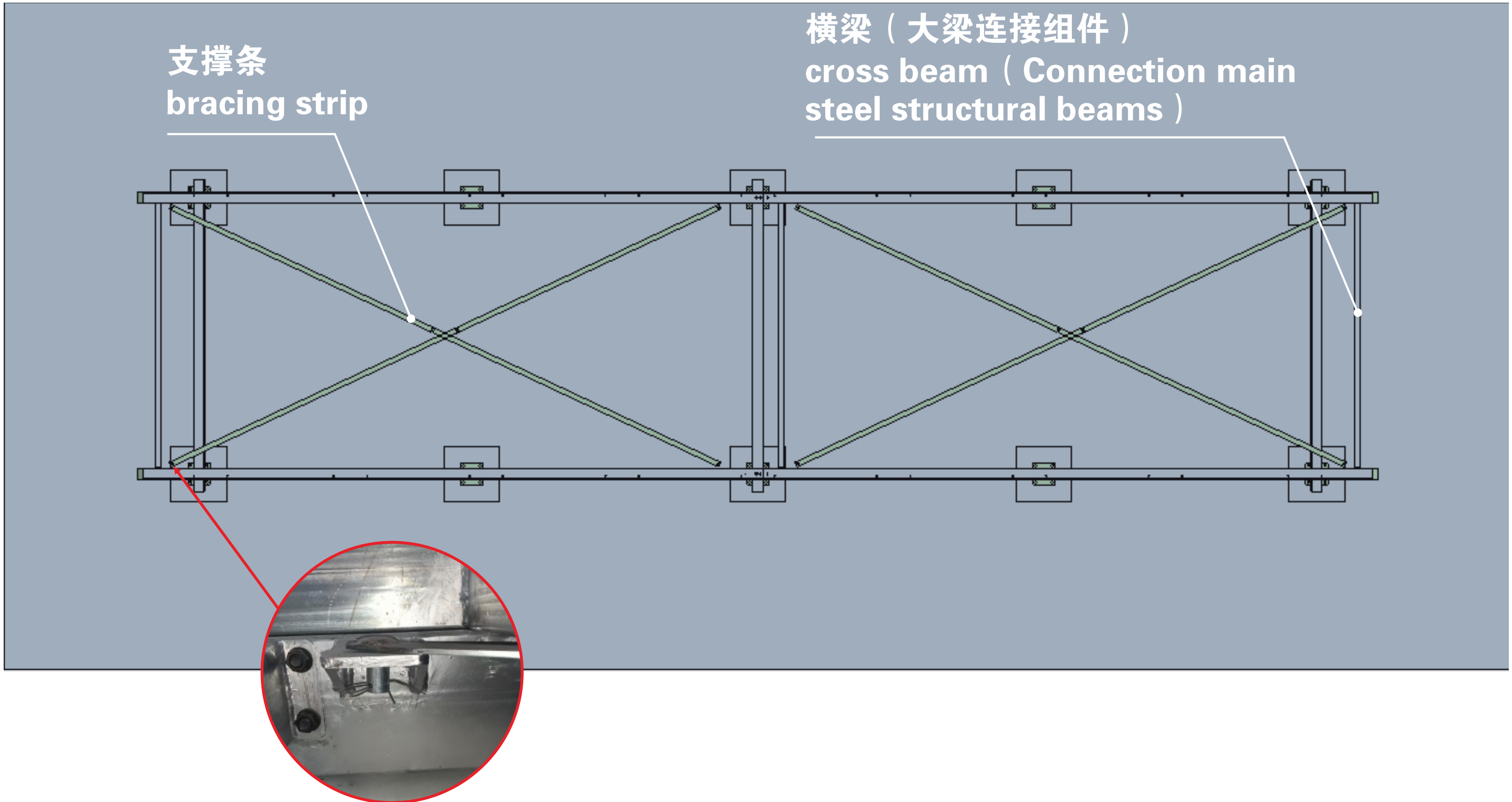
3、将支撑脚和主梁钢结构用螺栓连接在一起。

3.Connect the main steel structure beams and the the supporting legs together with the bolts as supply.



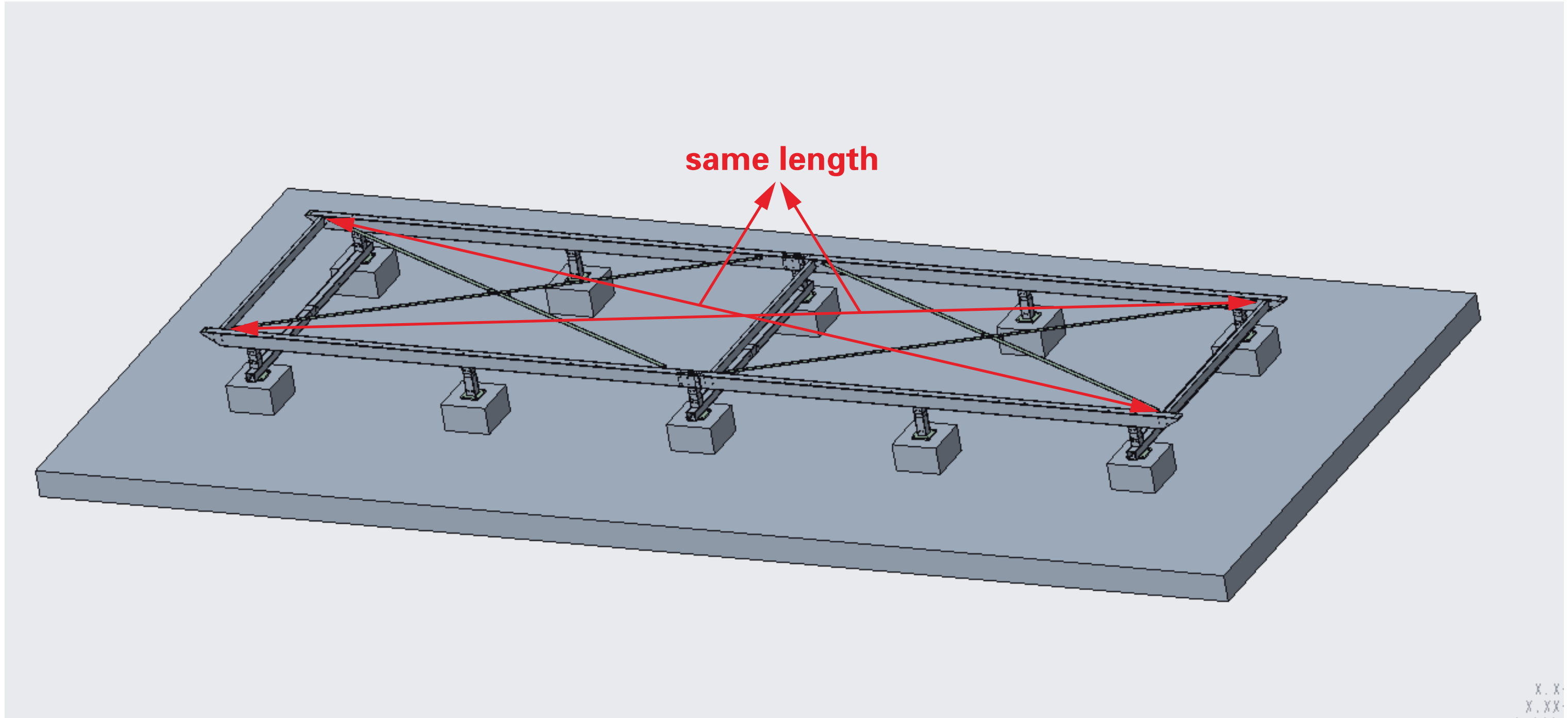
4、支撑条和横梁固定在主梁钢结构上。

4.Seat the bracing strips and connect the cross beam on the main structure beam.



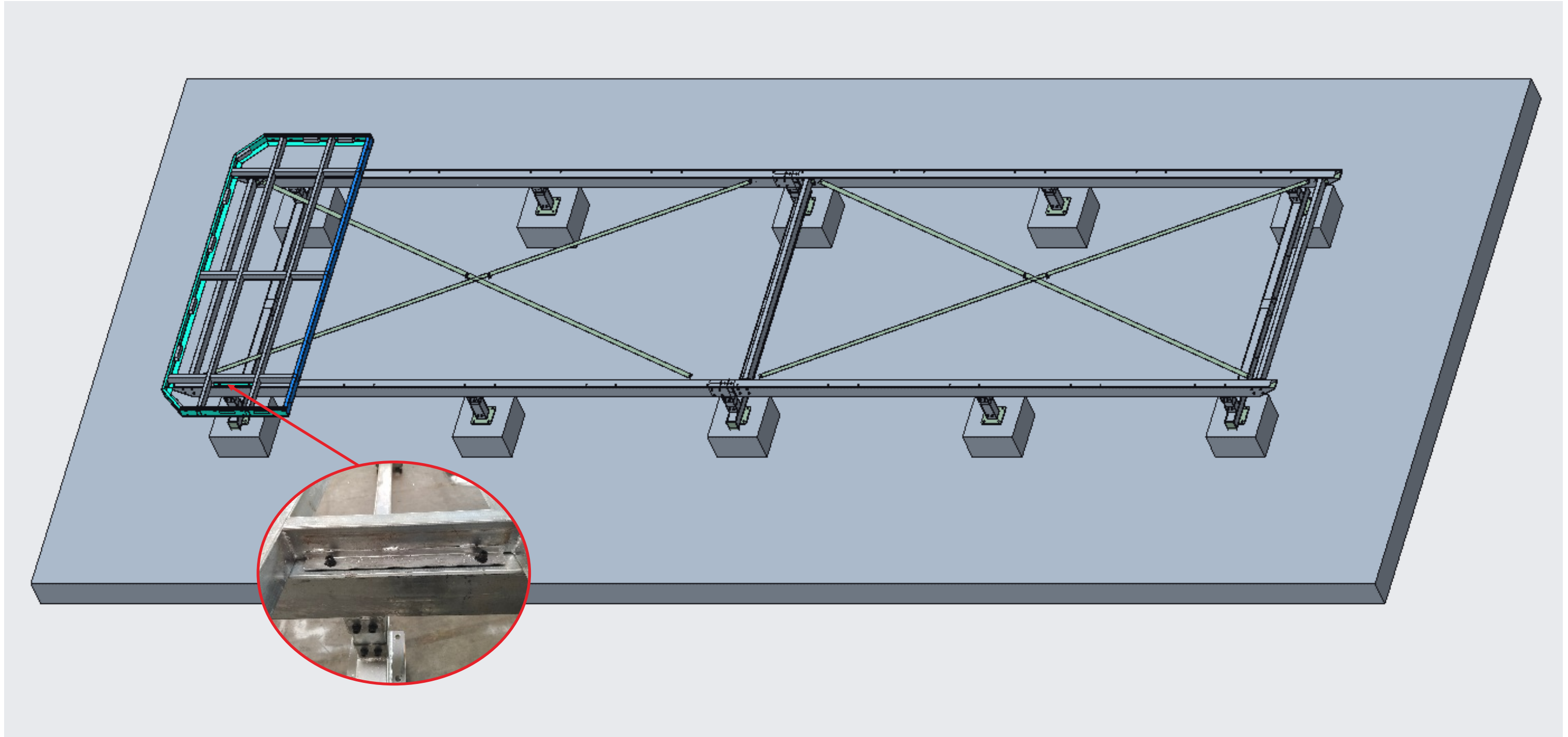
5、检查钢架确保方正, 如安装图所示。

5.Check the steel frame to ensure that are square as shown in the installation diagram.



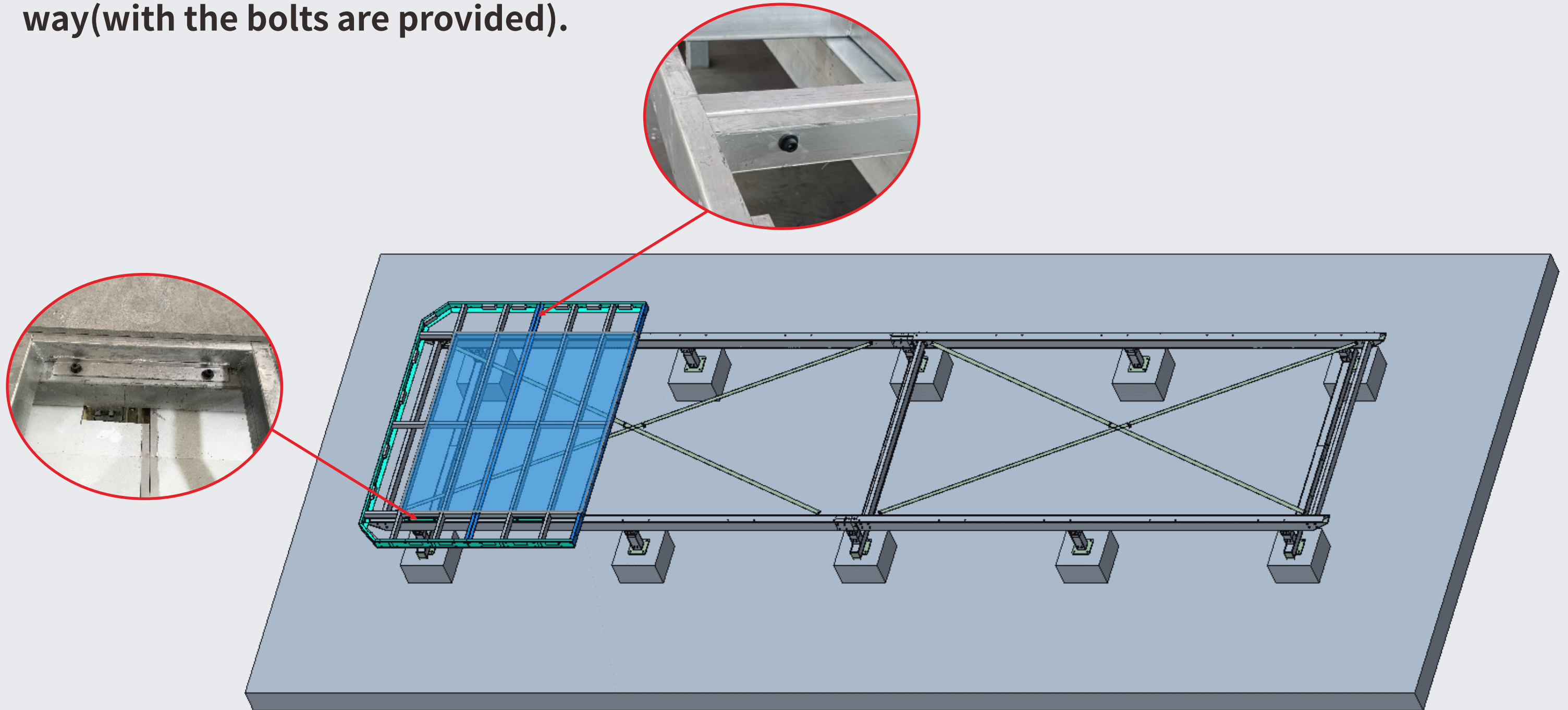
6、将第一个钢结构基座安装到主梁框架上,并用螺栓固定。

6.Seat the first steel structure floor module on to the main steel structure frame and bolt down (with the bolts are provided)



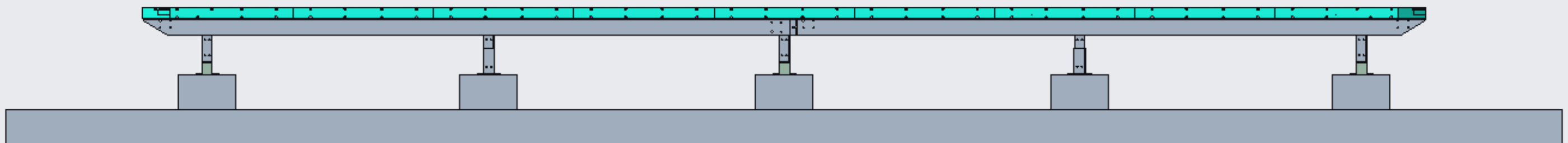
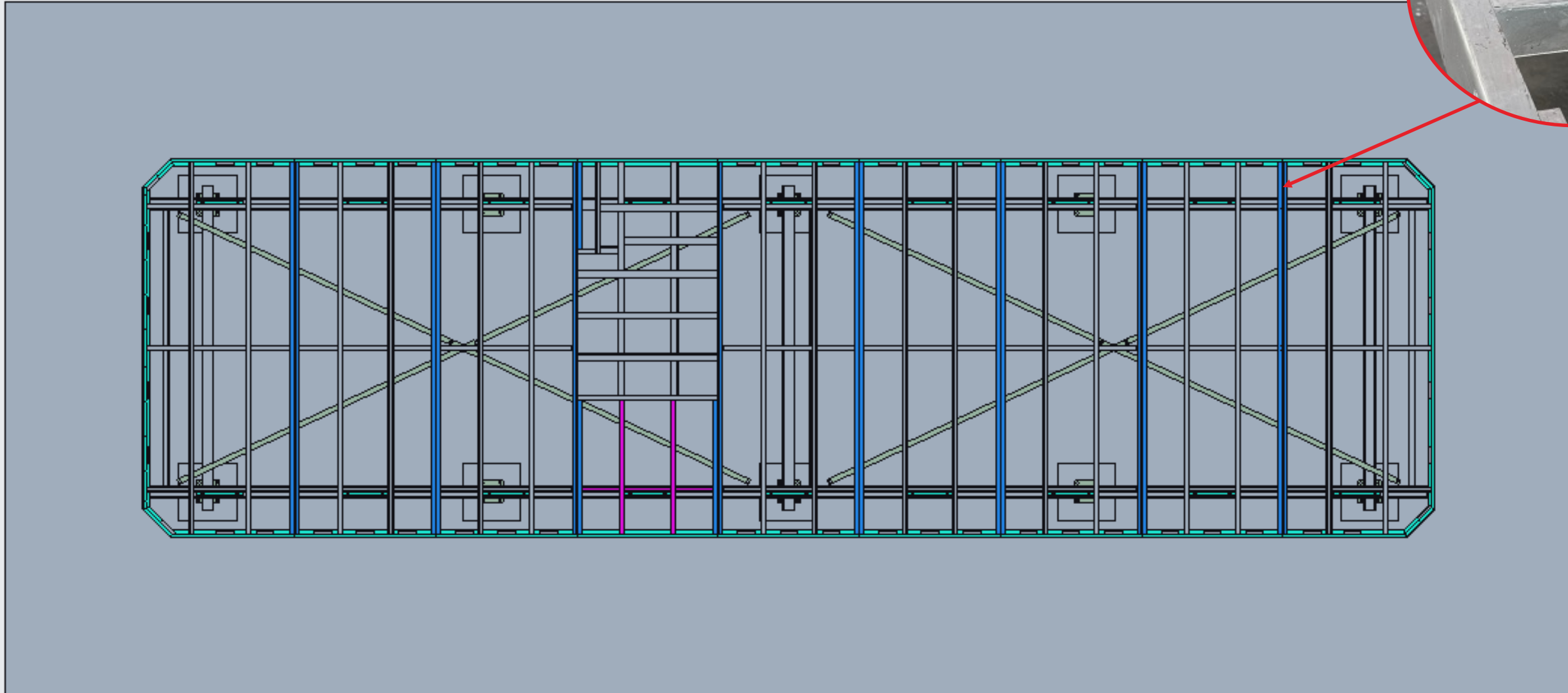
7、将第二个钢结构基座放置在主梁框架上,并用螺栓将第一个框架和第二个框架固定在一起;以及所有其他模块连接在一起的方式与第一个和第二个相同。

7.Place the second steel structure floor module bolt down to the main stuctrual frame and secure the frist and second frame together with bolts.Then connected all modular in the same way(with the bolts are provided).



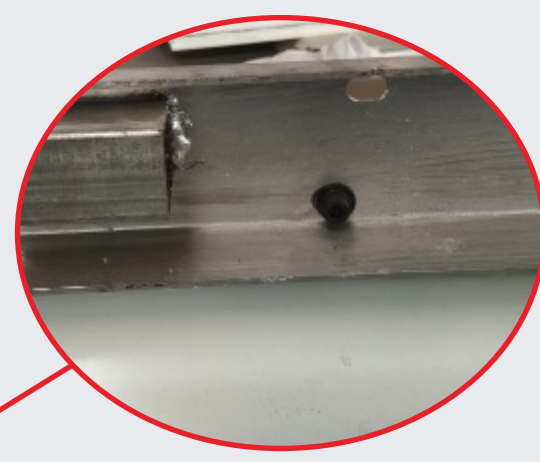
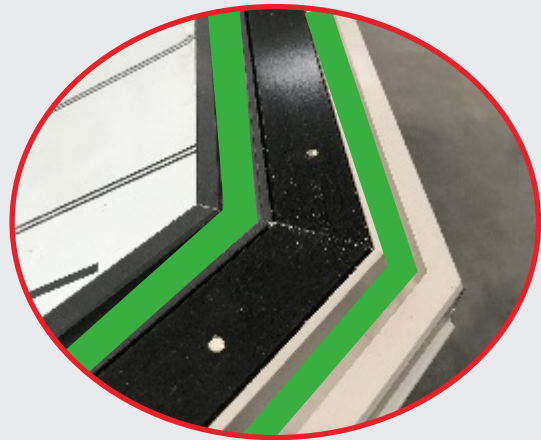
8、检查所有钢基座框架和主梁钢架的螺栓是否系紧。

8.Check all the connecting bolts to ensure they are securely fastened.



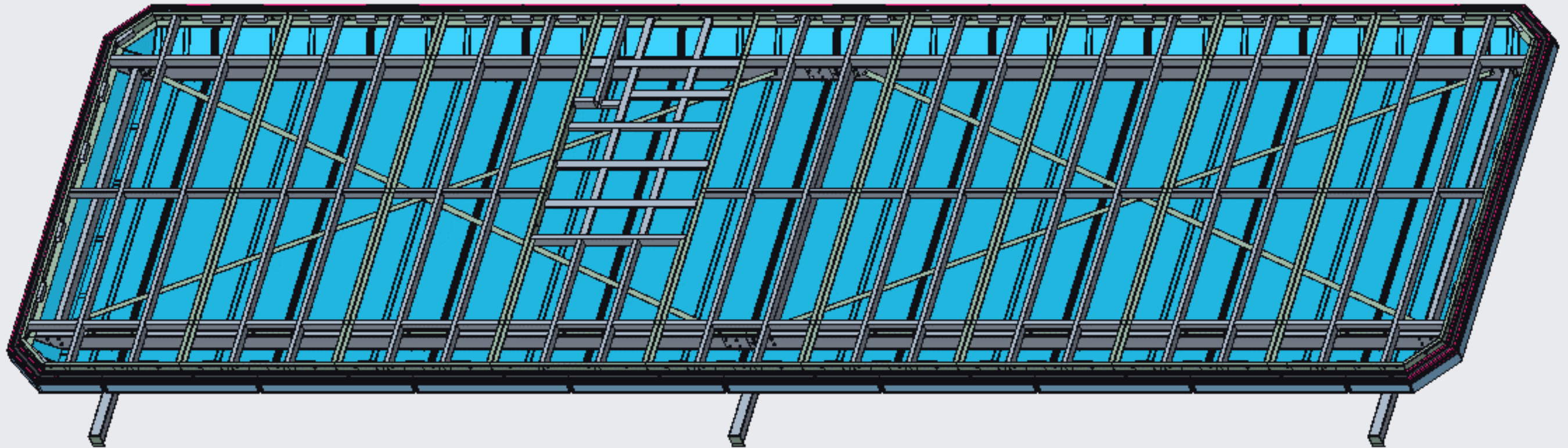
9、用螺栓将第一个底部模块固定在在钢基座下面(每个模块四个螺栓孔)在所有模块的母端涂上胶泥、结构胶或者丁基胶。

9.Place the 1st under floor module to the under side of the structure, followed the hole on the structure steel connecting it with bolts provided.(4 bolts each end .and make sure is just hand tight at the moment) , mastic, structural waterproofing silicone or butyl tape on to the female side before placing the second module (for waterproofing purposes)



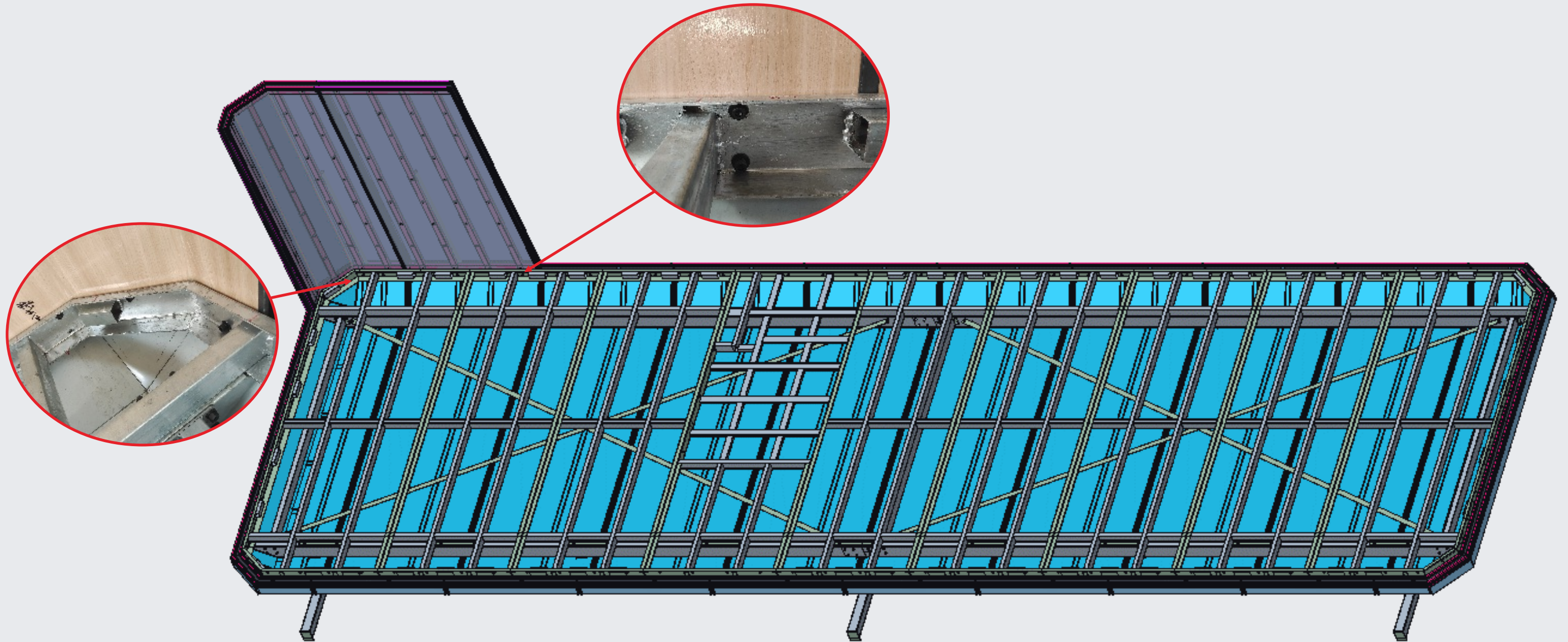
10、组装完所有底部模块后需要将螺栓稍微拧紧一些(不是特别紧)当我们彻底完成墙体模块的组装后,需要再次拧紧。

10.After assembly all insulated structure floor modules,now we need to tighten that a little bit more. (not particularly tight) because Will need to tight that again when we completelv finished assembly all the wall module.



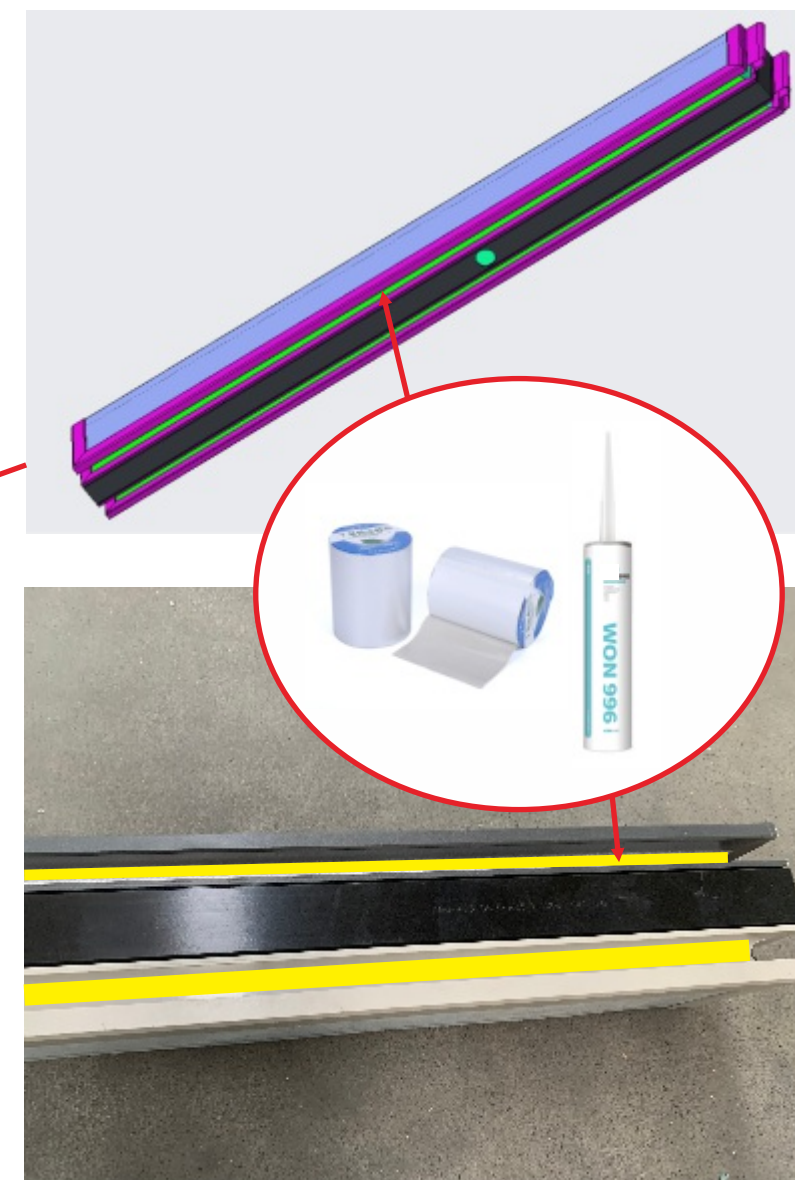
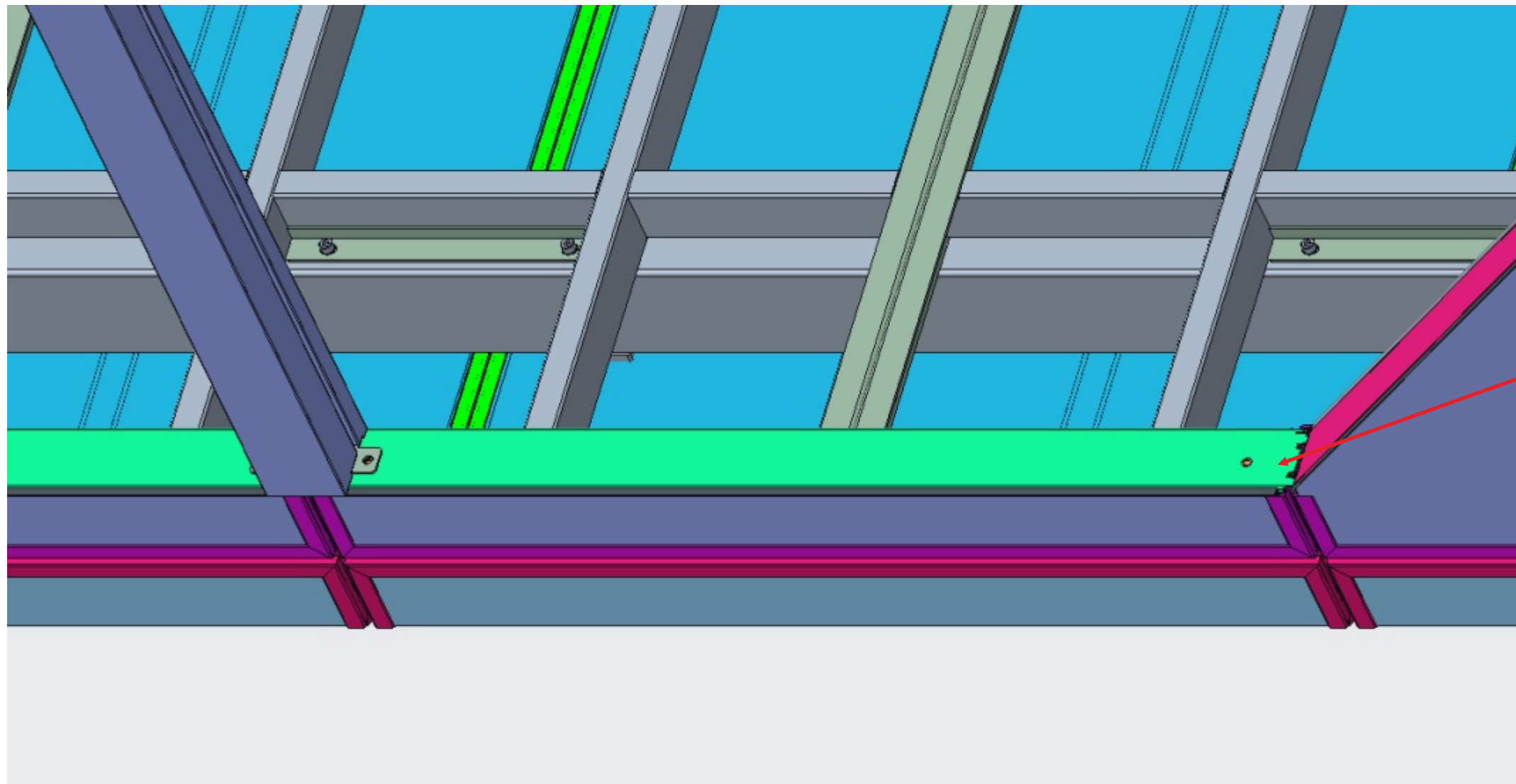
1、组装第一个拐角墙模块时, 确保模块水平且垂直底部模块, 用手拧紧螺丝, 第二个模块的螺丝也是用手拧紧。

1. When assembly the first corner wall module, ensure the module is level and plumb. Hand tighten the bolts of and the first module, and then do the same way to the second module too.



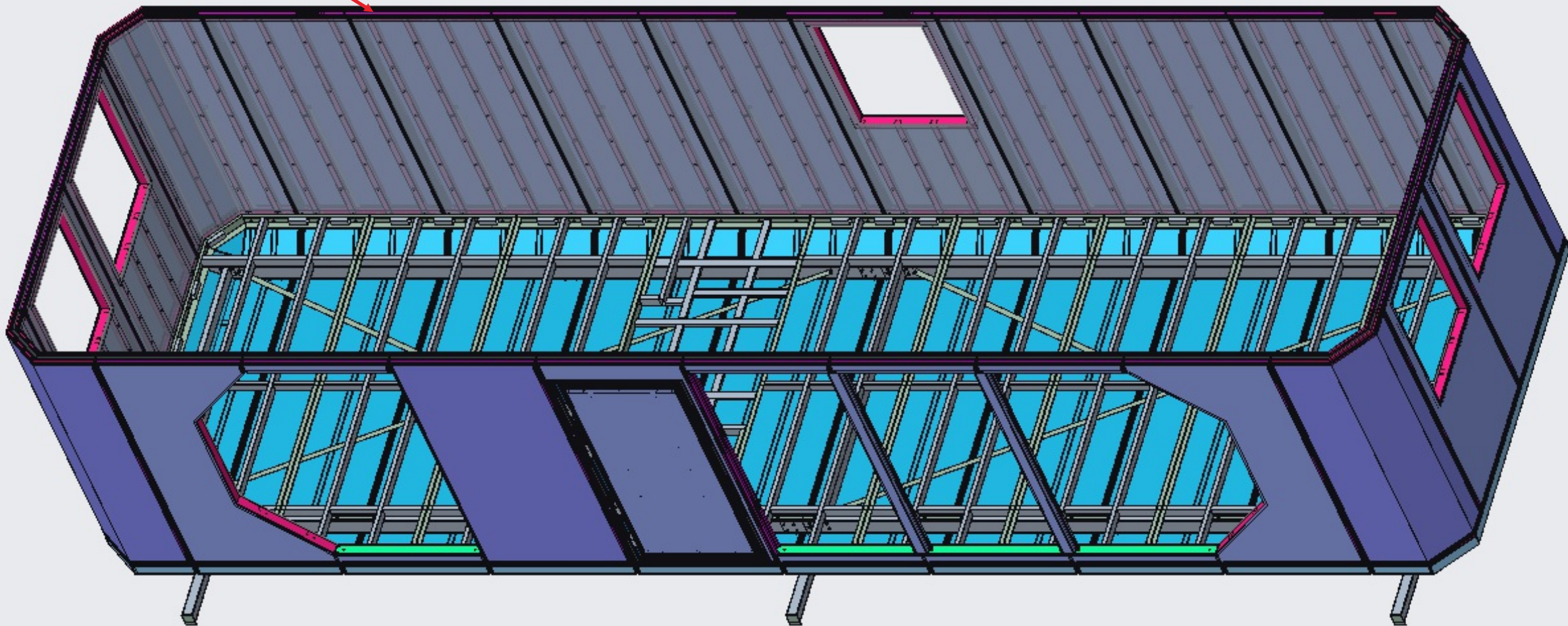
2、墙体模块中的窗户底组件的两个母端必须涂抹胶泥、结构防水硅胶或丁基胶带。

2.Mastic, structural waterproofing silicone or butyl tape must apply on the both female groove where install the bottom of the window.



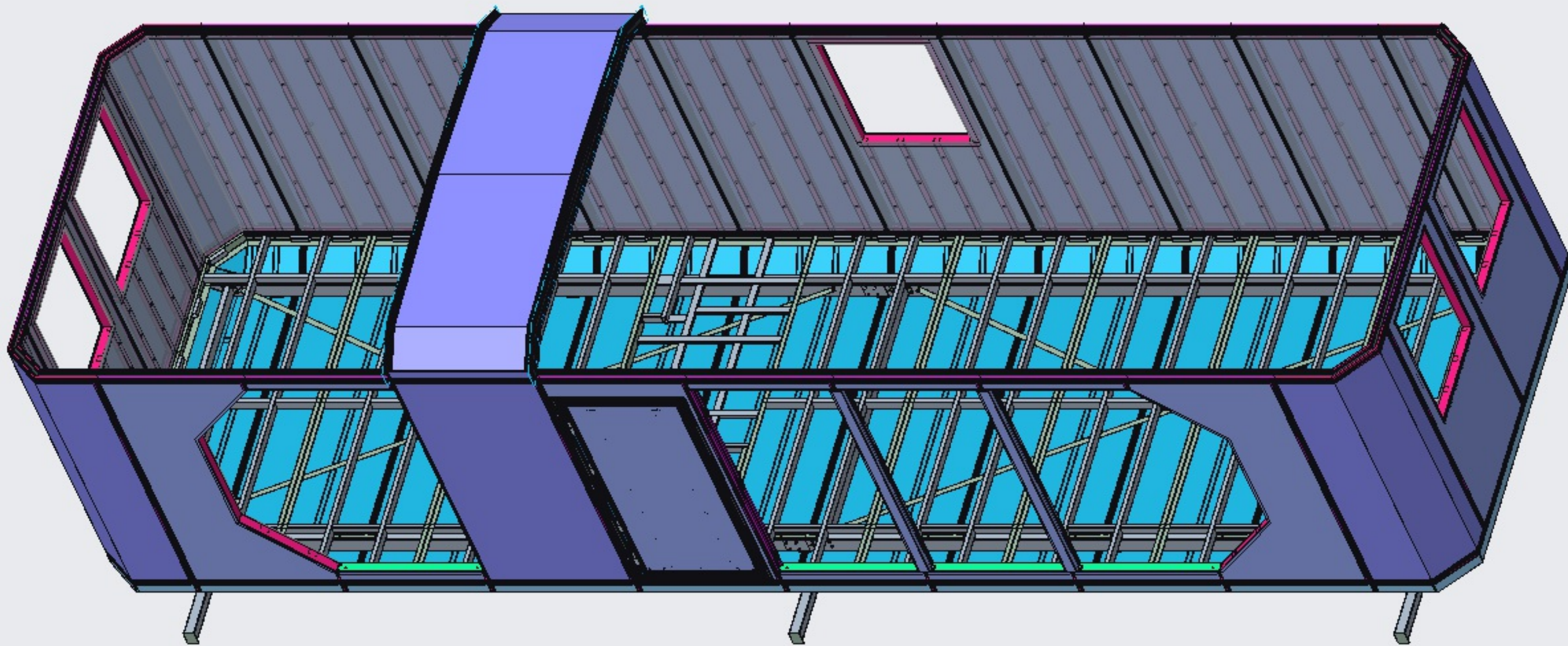
3、当所有墙板模块安装完成后,用螺栓将顶部支撑焊件连接在一起。

3.After all wall module are installed,use bolts to connect the top plate steel structure together.



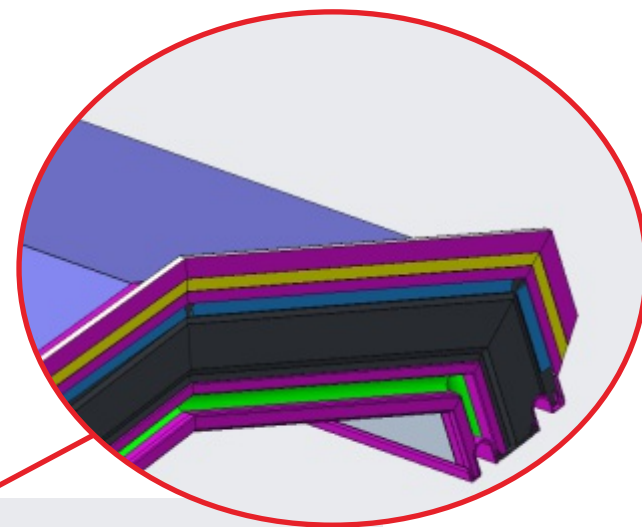
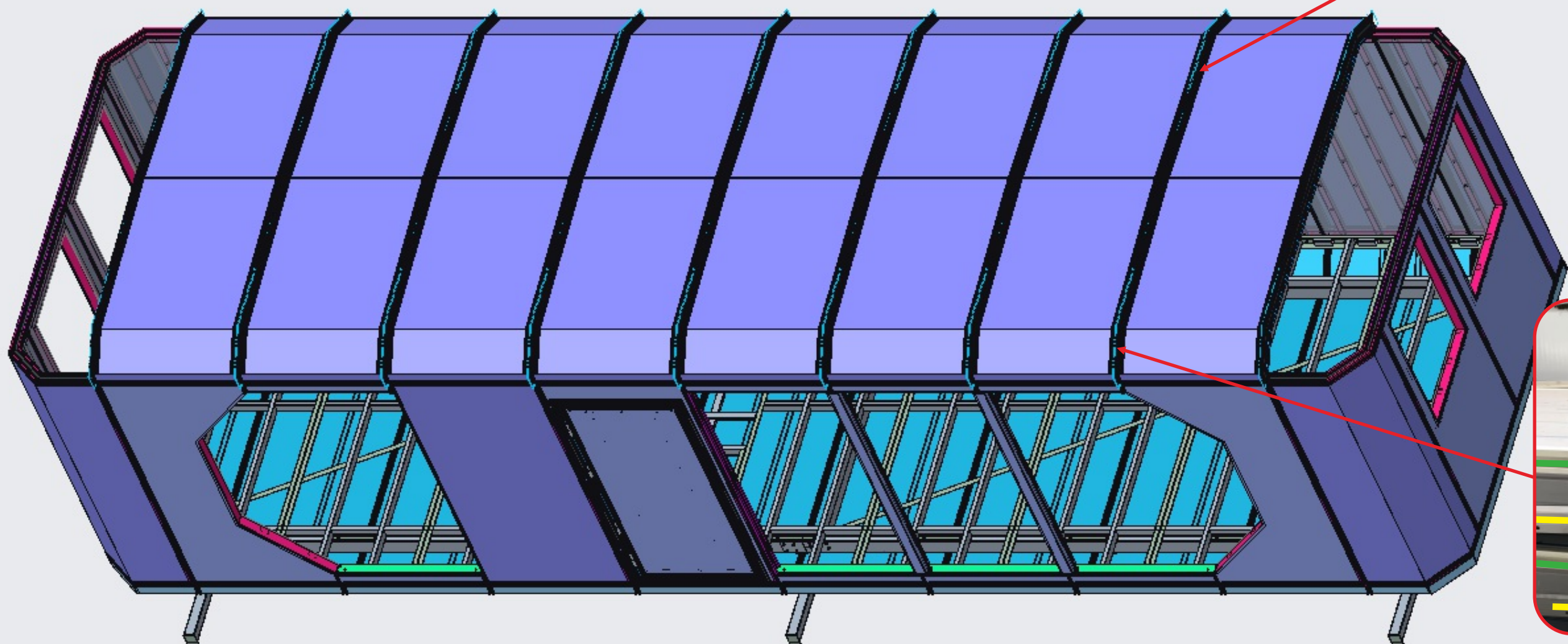
1、需要脚手架, 四到五个人来安装屋顶模块, 并从建筑物中间开始安装。

1.For four to five guys to install the roofing module and start installing from the middle of the building



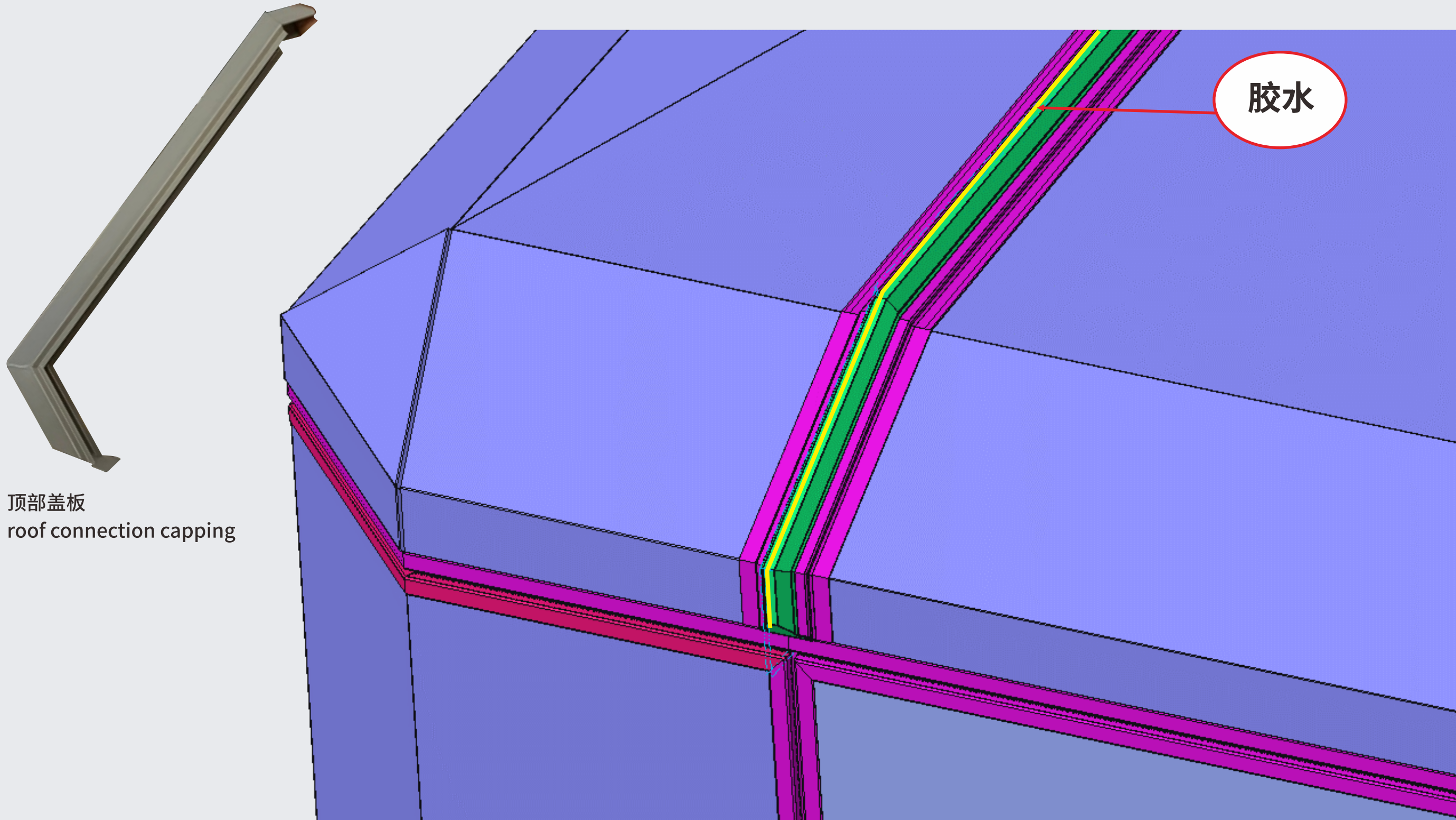
2、胶泥、结构防水硅胶或丁基胶带必须穿过屋顶和墙壁之间的母端槽上。并在屋顶板预留的槽缝中(如右图黄色区域)涂抹丁基胶或者胶泥。

2.Mastic. structural waterproofing silicone or butyl tape must go through the roofing joint and female joints between the roof the wall. But not for the ceiling tongue and groove joints.



3、将丁基胶涂抹在两个顶部模块之间连接处,后放置顶部盖板。

3. Need to place butyl tape on top of the two roofing modular before the roofing caps install.

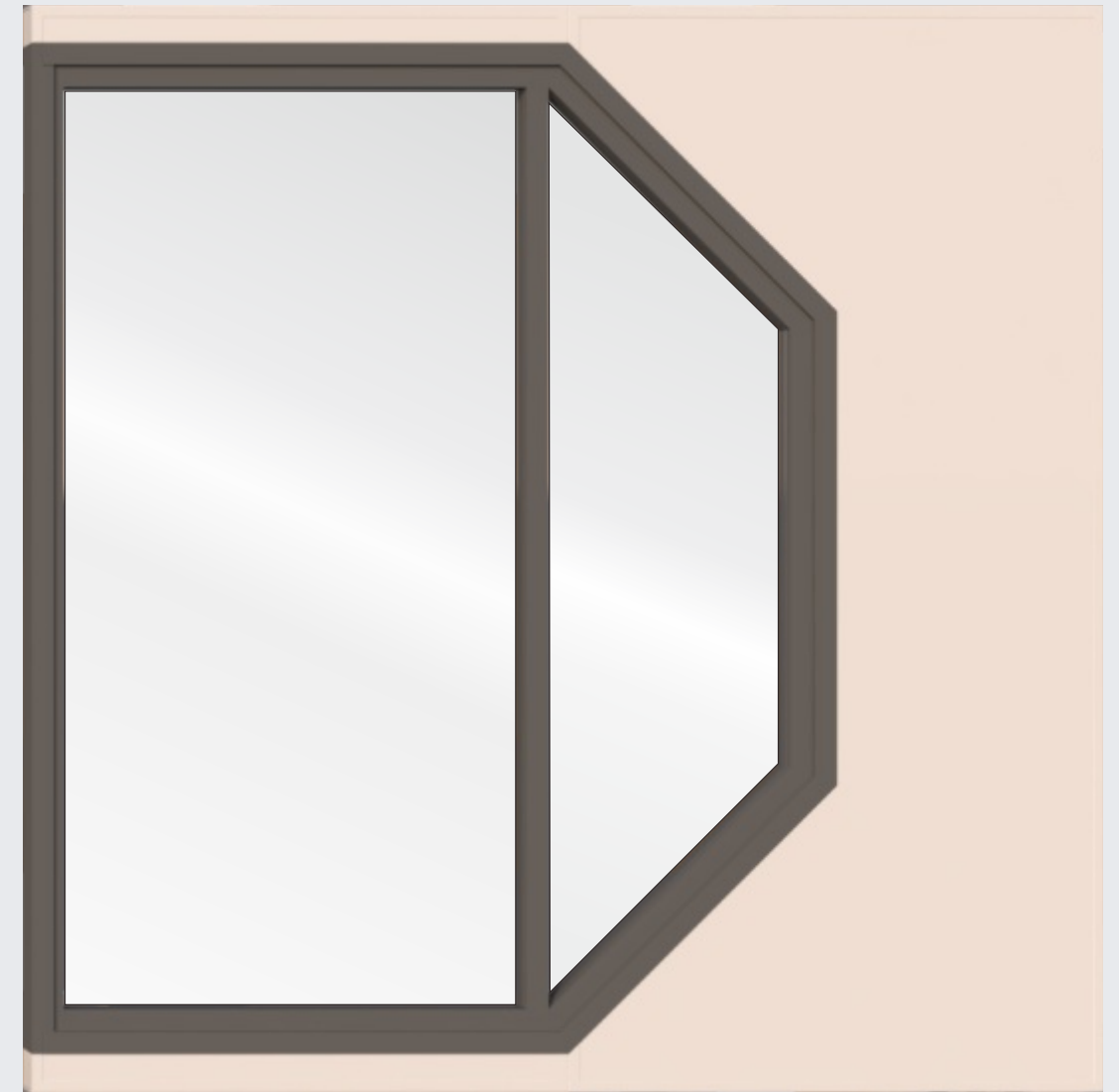
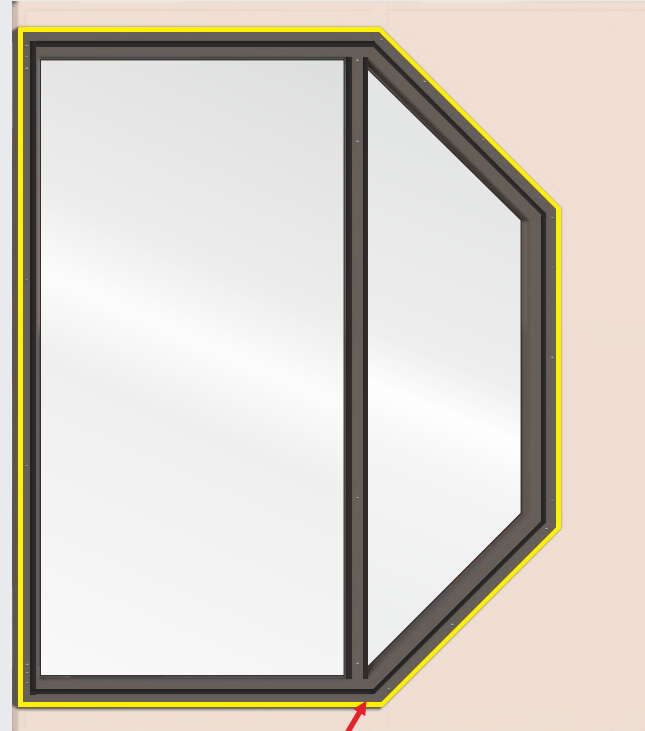


安装门窗步骤

Installation process

1、玻璃窗安装时, 在内部使用结构防水硅胶, 确保涂抹的轮廓与墙板粘连在一起。在外部框架上用 300 号技术螺丝固定。拧紧技术螺丝后, 装上窗户框架后, 在其外延边端和墙板连接处涂上结构性防水胶, 然后再在上面安装装饰盖。

1.Windows install with structural waterproofing silicone in the inside of the window frame and tek screws 300 centre on the outside frame. After tek screws tight place the structure waterproofing silicone on the outside of the frame before install the finishing capping on it.



已安装装饰盖

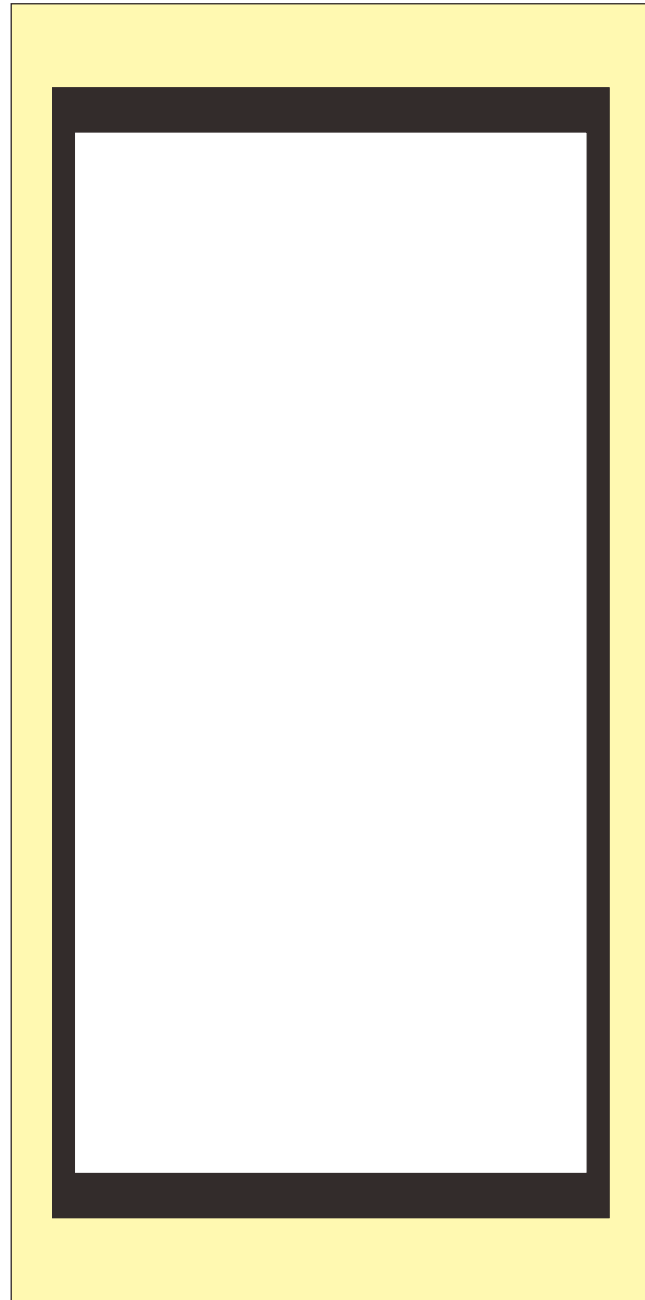
window frame with finishing capping

安装门窗步骤

Installation process

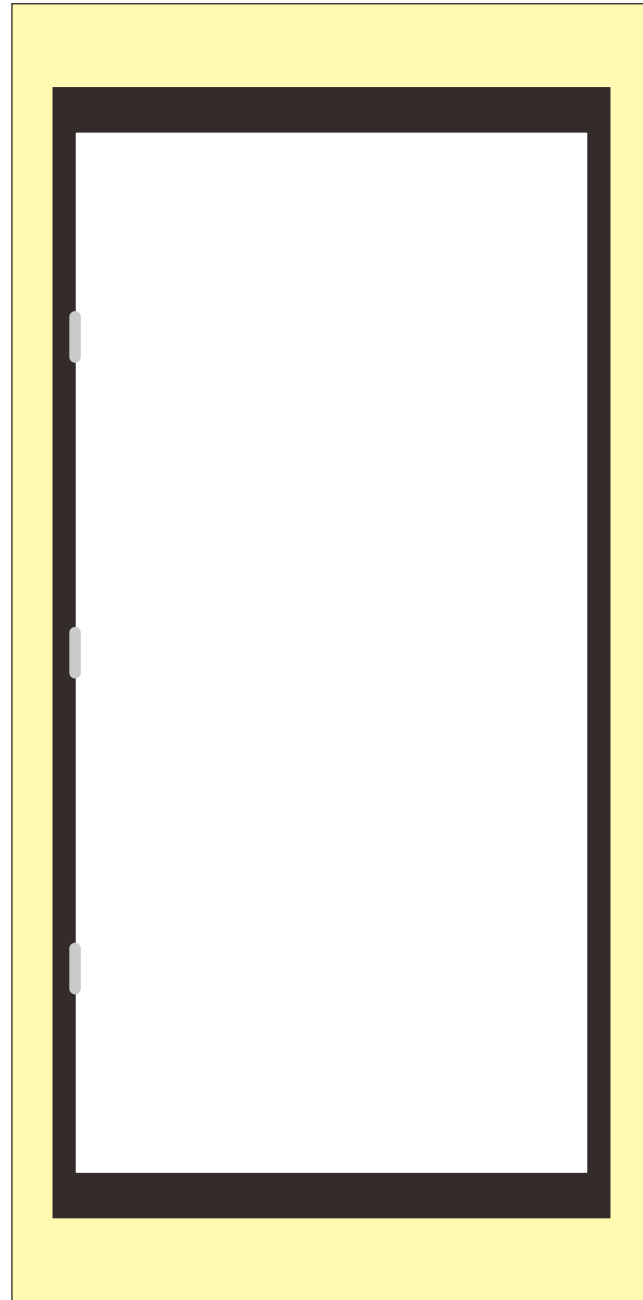
2、门框已预先安装在框架上, 只需将隔热门挂到框架上, 并安装好铰链即可。

2. Door are pre-hung on the frame, just hung the insulated door to the frame with the hinges already installed.



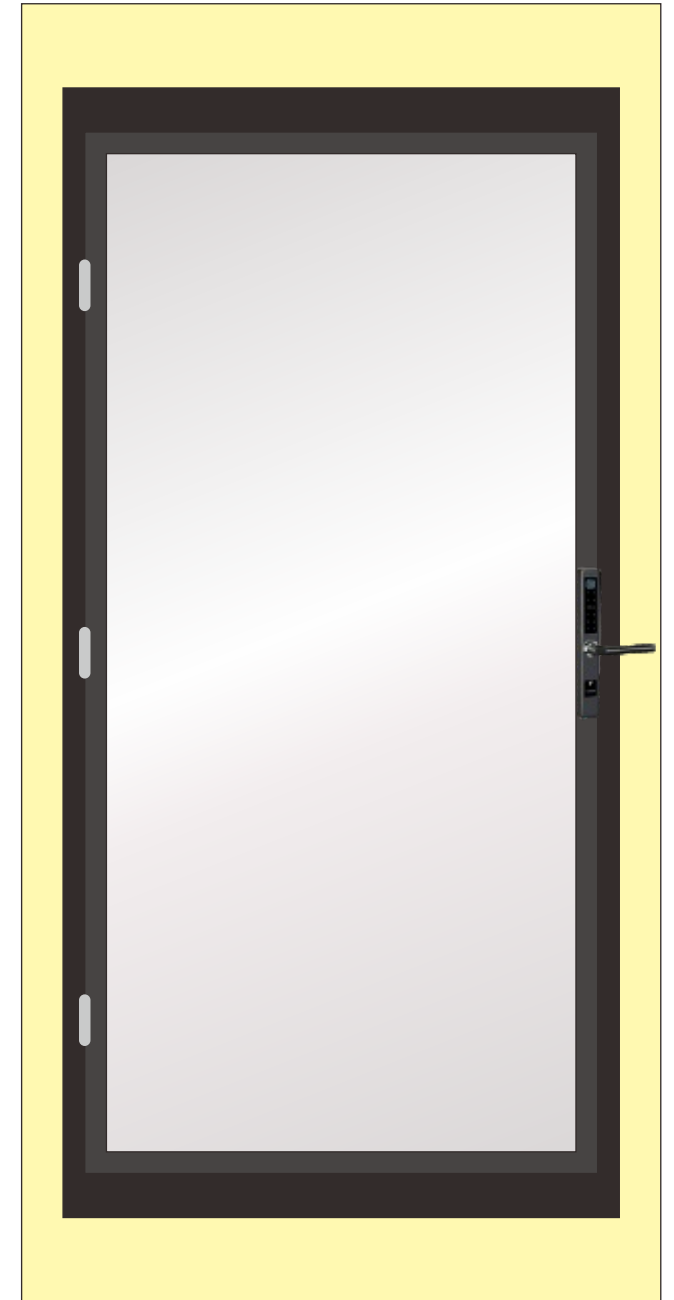
门模块

wall module with door frame



安好铰链

wall module with door frame with hinges



安好平开门

wall module with insulated door and lock

安装卫浴步骤

Installation process

1、根据提供的卫浴安装结构图, 放置卫浴地盘。

1. According to the provided bathroom installation structure diagram, place the bathroom pod base on to the module floor base.



安装卫浴步骤

Installation process

2、通过用方管加强筋和胶条将墙体连接好, (平面连接用中缝胶条, 墙角板连接用羊角胶填充)。然后将墙板安装在底盘的卡扣处。

2.Connect the braket of the SMC floor.Connect the wall using square tubes and adhesive strips, and install the bathroom wall at

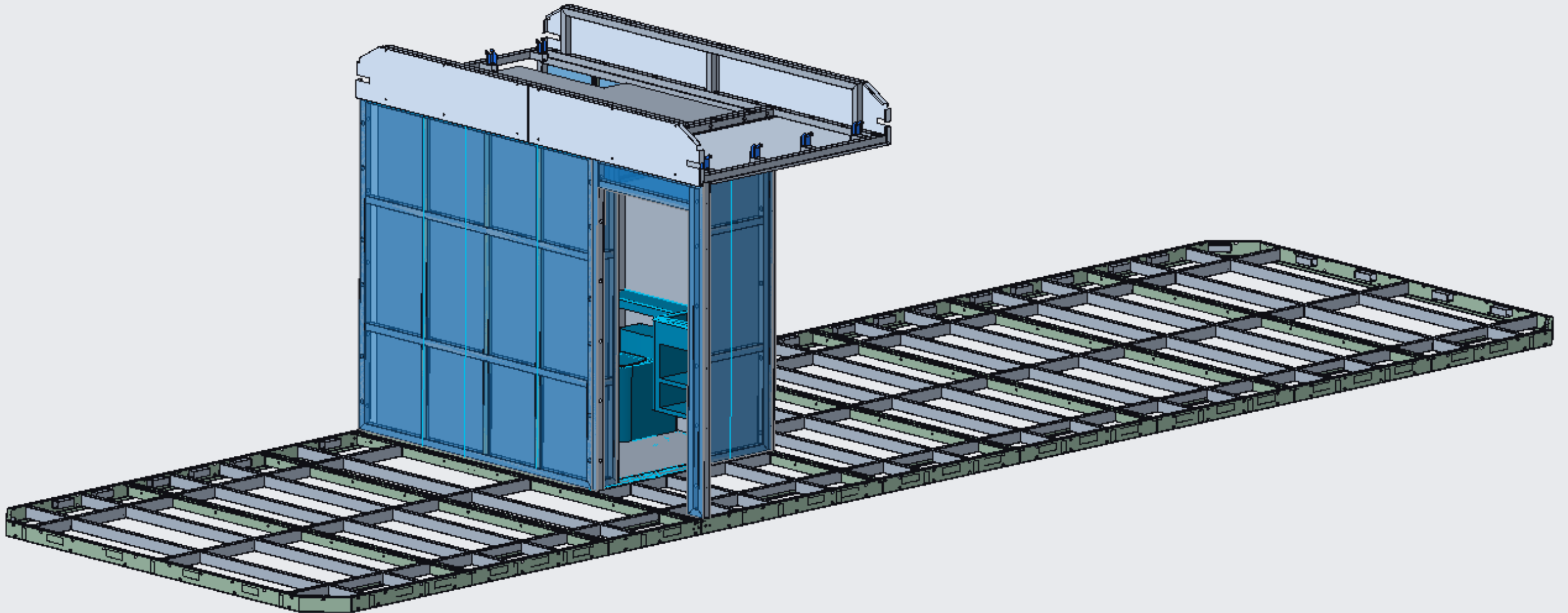


安装卫浴步骤

Installation process

3、根据卫浴结构布局图, 安装上卫浴外墙框架。用螺丝固定卫浴顶盖后, 封上洗手间钣金封板。卫浴外墙框架贴上磁吸条, 贴上卫浴墙面装饰板。

3. Follow the instructions, Install the galvanized steel frame on the exterior wall of the bathroom. After fixing the bathroom top cover with screws, seal the bathroom sheet metal cover plate. Attach magnetic strips to the exterior wall frame of the bathroom and decorate the bathroom wall with carbon crystal panels.



安装水电布局步骤

Installation process

当地水电工根据水电布局图, 在工厂预埋的服务管道上穿插水电线管。

According to the water and electricity layout plan, local water and electricity workers set up the routing of water and electricity pipes.

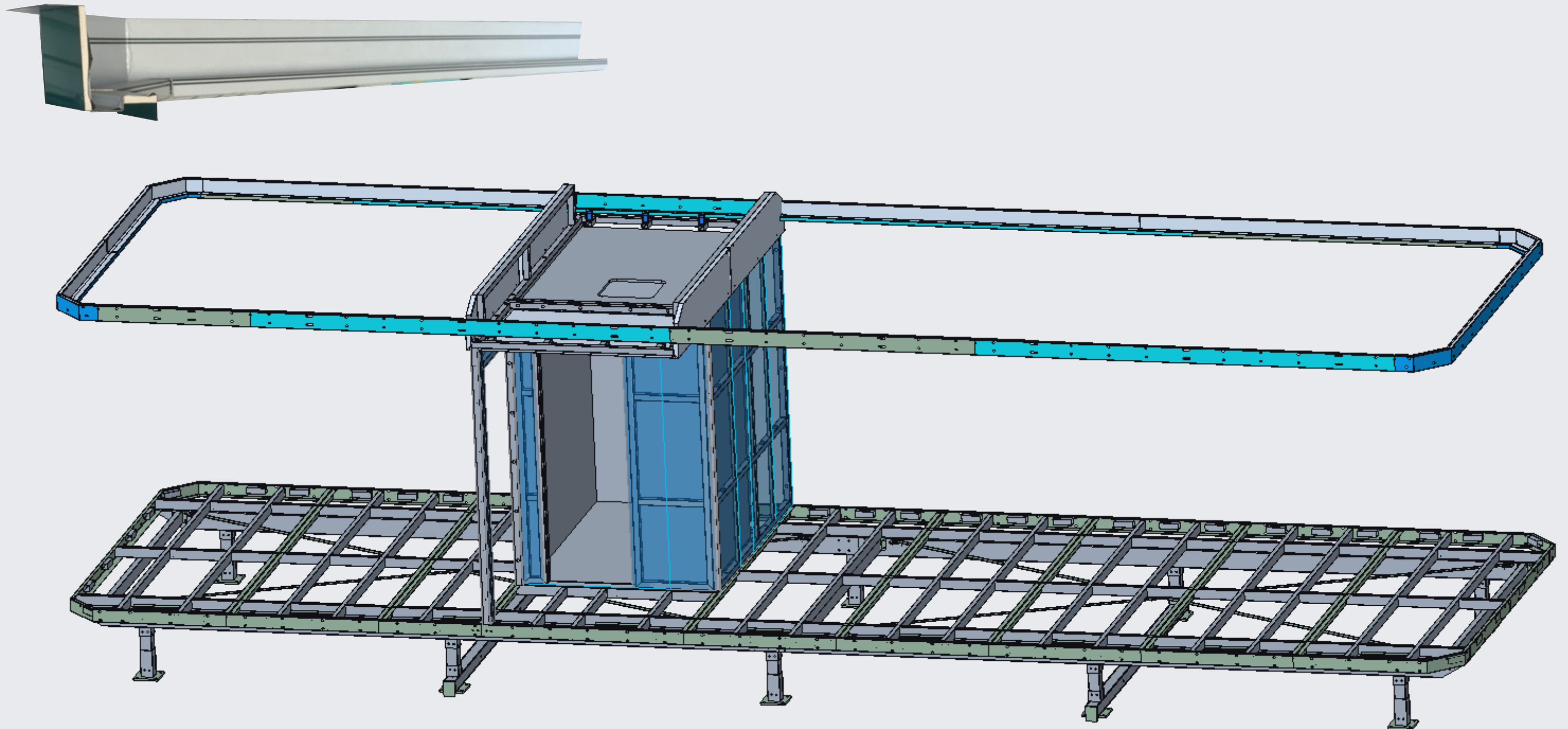


安装卫浴步骤

Installation process

水电安装完毕后, 在顶部支撑焊接件上装上灯槽组件(装饰盖板), 并接上灯管。

After completing the installation of water and electricity, install the lamp slot component (decorative cover plate) on the top support steel weldment and connect LED track light.



安装步骤

Installation process

地板

安装地面地板。

flooring installation.



水泥纤维板连接处需要打螺丝
fiber cement board joints need to be screwed

安装完成效果

Installation process

安装完成放家具效果。

interior decoration.

